

HIGH-EFFICIENCY COMMERCIAL STACK WASHER/DRYER



Featuring Microprocessor Controls



CET8000XQ 27" Electric Stack Washer/Dryer with Metercase CGT8000XQ 27" Gas Stack Washer/Dryer with Metercase

Machine Accepts the Following
Compatible Payment Systems:

- Coin-Drop
- Card Reader
- Non-Coin Payment Configurations
- Single Payment System
- 3.2 Cu. Ft. Capacity—Washer/
6.7 Cu. Ft. Capacity Dryer
- Push-Button Controls
- Combination of 9 Cycle Wash Options
- Optional Pre-Wash/Extra Rinse

- Stainless Steel Wash Basket
- Automatic Load Balancing
- Built-In Over-Sudsing Protection
- Maximum Spin Speed Extracts More Water
- Reversible Door, Dryer Only
- Front Control Panel 20° Angle
- Front Serviceable
- Washer is ADA Compliant
- 3-Year Limited Parts Only Warranty*

*Call 1-800-N0-BELTS for warranty details

SAVE SPACE AND CUT UTILITY COSTS

- Get a Full-Size High-Efficiency Washer and Super-Capacity Dryer in the Space of a Washer Alone
- Save Energy and Water with High Speed Spin Extraction

MICROPROCESSOR CONTROLS

- Easy To Program
- Simple One-Touch Cycle Selection
- Panel Displays Operating Instructions and Countdown of Remaining Cycle Time
- Front Control Panel 20° Angle

METERCASE

- Metercase Integrated Into Console
- Accepts Coin-Drop, Card Reader and Non-Coin Payment Configurations
- Single Payment System

STYLISH DESIGN

- Large Concave Windows
- Porcelain Finish

AUTOMATIC DETERGENT, SOFTENER AND BLEACH DISPENSER

HIGH-EFFICIENCY DESIGN OFFERS SIGNIFICANT UTILITY SAVINGS

- Save up to 60% Every Year** on Energy, Water and Sewer Costs
- ENERGY STAR®-Qualified
- CEE Tier II
- Modified Energy Factor: 2.26
Water Factor: 4.4

**Based on AHAM load sizes. Individual savings may vary.

HIGH-EFFICIENCY COMMERCIAL STACK WASHER/DRYER

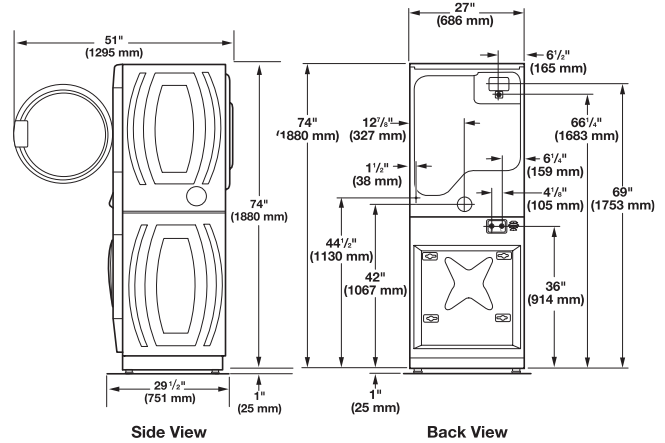


Featuring Microprocessor Controls

Whirlpool® High-Efficiency Commercial Stack Washer/Dryer Microprocessor Controls

STACKED UNIT SPECIFICATIONS	
MODELS	CET8000XQ CGT8000XQ
WASHER SPECIFICATIONS	
MOTOR	
120V, 60Hz, variable-speed, high-efficiency, switched reluctance	Yes
Wash — HP (kWh)	.09 (.07)
Extract — HP (kWh)	.54 (.40)
Average kilowatt hour per cycle	0.07
CAPACITY	
Volume — (liters)	3.2 (91)
Diameter — in. (mm)	21.6 (547)
Depth — in. (mm)	13.4 (341)
Drain hose length — ft. (m)	6 (1.83)
DRYER SPECIFICATIONS	
MOTOR	
Single-phase, thermoprotected against overload, auto-reset	Yes
HP (kw)	1/4 (.19)
Capacity — cu. ft. (cu. m)	6.7 (.17)
AIRFLOW	
Electric models — cfm (cmm)	220 (6.2)
Gas models — cfm (cmm)	230 (6.5)
Tumble speed — RPM	50± 1
EXHAUST DUCT DIAMETER — IN. (mm)	4 (101.6)*
ELECTRICAL REQUIREMENTS	
CET model — Voltage	240V/60Hz
CGT model — Voltage	120V/60Hz
BREAKER/FUSE REQUIREMENTS	
CET model — Amps	30
CGT model — Amps	15
HEATING ELEMENT RATING	
CET model — Electric heating element — watts	5,600
CGT model — BTU/hr. (kcal/hr.)	24,000 (6,048)
ADJUSTABLE LEVELING LEGS	Yes
COLOR	
White	Yes
APPROXIMATE WEIGHT	
Crated — lbs. (kg)	383 (173)
Uncrated — lbs. (kg)	372 (169)
DIMENSIONS	
Width — in. (mm)	27 (686)
Depth — in. (mm)	29.5 (749)
Height — in. (mm)	74 (1880)

*Use a 4" (101.6mm) diameter rigid aluminum or galvanized steel duct. Never use plastic, nonmetal or combustible duct. Because of continuous product improvement, Whirlpool reserves the right to change specifications without notice.



MAXIMUM EXHAUST DUCT LENGTH PER NUMBER OF TURNS

Number Of 90° Turns	Rigid Metal Vent	
	Box Hood and Louvered Style	Angled Hood Style
0	135 ft. (41.2 m)	129 ft. (39.3 m)
1	125 ft. (38.1 m)	119 ft. (36.3 m)
2	115 ft. (35.1 m)	109 ft. (33.2 m)
3	106 ft. (32.3 m)	100 ft. (30.5 m)
4	98 ft. (29.9 m)	92 ft. (28.0 m)

Number Of 90° Turns	Flexible Metal Vent	
	Box Hood and Louvered Style	Angled Hood Style
0	76 ft. (23.2 m)	62 ft. (18.9 m)
1	71 ft. (21.6 m)	57 ft. (17.4 m)
2	67 ft. (20.4 m)	53 ft. (16.2 m)
3	65 ft. (19.8 m)	51 ft. (15.6 m)
4	63 ft. (19.2 m)	49 ft. (14.9 m)



NEW YORK CITY
M.E.A.



3-YEAR LIMITED PARTS ONLY WARRANTY

For a period from the date of original purchase through the time listed above, the designated parts that fail in normal commercial use will be repaired or replaced free of charge for the part itself, with the owner paying all other costs, including labor, transportation and customs duty. Chemical damage is excluded from all warranty coverage. See complete warranty for details.

To Locate a Distributor Near You, Please Visit www.whirlpoolcommerciallaundry.com/distributor, or Call 1-800-N0-BELTS.